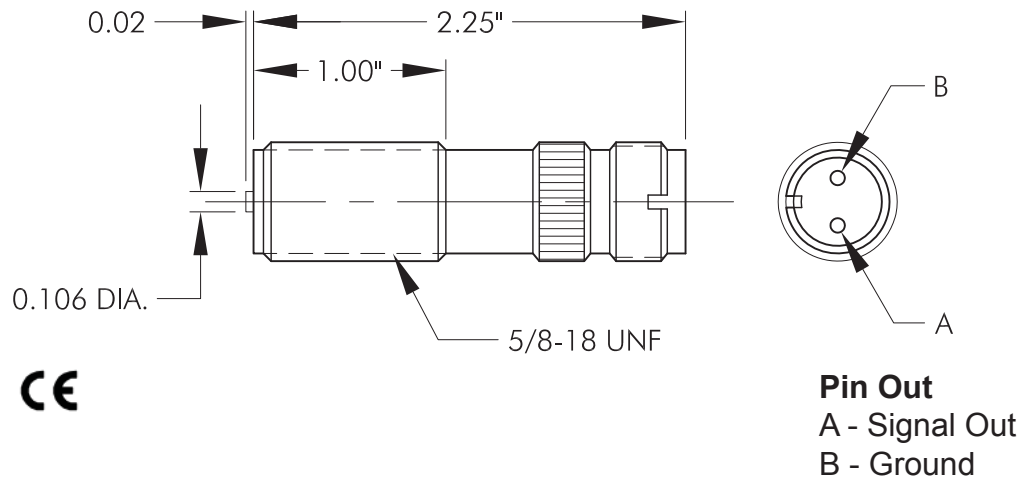




Electronic Data Devices  
PO Box 12128  
Odessa, TX 79768  
P - 432-366-8699 F - 432-366-1106  
sales@eddevices.com www.eddevices.com

## Magnetic Pickup Spec Sheet

Part Number - 4.303



**Application** - For 7/8" & up flow meters and kits  
For gear pitch range of 24 DP or coarser depending on pole piece

**DC Coil** - Resistance - 1500 Ohms  
Inductance - 800 mH  
Output Voltage Maximum for Turbine Meters - 4 Vpp  
Output Voltage Maximum for Open Gears - 240 Vpp

**Magnetization** - 950 Gauss

**Temperature Range** - -100 °F to 250 °F (-73 °C to 120 °C)

**Pole Piece** - Extended Pole

**Construction** - 303/304 Stainless Steel  
Solid Epoxy Encapsulation  
Gold Plated Pins

**CE Compliance** - EN55011, EN50022-2

**Connector Part Number** - 7.2012

©2016

This document is the property of Electronic Data Devices.  
Any copying or reproduction of the document is prohibited without prior written consent from Electronic Data Devices.