



Electronic Data Devices
Product Catalog



Manufacturing EDD Turbine Flow Meters Since 1980

The information in this document is reviewed regularly and any necessary changes will be incorporated in the next revision.
We welcome any suggestions for improvement.

This manual is for the exclusive use of Electronic Data Devices customers and distributors. The reproduction, transmission or use of this document or its contents is not permitted without the expressed written permission of Electronic Data Devices.

© Copyright 2004 Electronic Data Devices

January 2004



Electronic Data Devices

Phone
432-366-8699

Fax
432-366-1106

P.O. Box 12128
Odessa, Texas 79768
USA

E-mail
rkw@eddevices.com

Website
www.eddevices.com

Electronic Data Devices Contacts

Bob Williams
President

Office 432-366-8699
Fax 432-366-1106

Hal Hulett
Manager

Office 432-366-8699
Fax 432-366-1106

Mike Jolly
Service Manager

Office 432-366-8699
Fax 432-366-1106



Electronic Data Devices

Phone
432-366-8699

Fax
432-366-1106

P.O. Box 12128
Odessa, Texas 79768
USA

E-mail
rkw@eddevices.com

Website
www.eddevices.com

Turbine Flow Meters
Flow Range

Size								Max Output	
Inch	MM	GPM	BPM	BPD	LPM	M ³ /D	Pulses P/Gal	Frequency Pulses P/ Sec	
3/8	10	.3 - 3	.007 - .07	10 - 100	1.14 - 11.36	1.6 - 16	22000	1100	
1/2	13	.75 - 7.5	.01 - .17	25 - 250	2.84 - 28.39	4 - 40	14500	1815	
3/4	19	2 - 15	.05 - .33	68 - 515	7.57 - 56.78	11 - 80	2950	740	
7/8	22	3 - 30	.07 - .71	100 - 1000	11.36 - 113.56	16 - 160	2350	1175	
1	25	5 - 50	.11 - 1.19	170 - 1700	18.93 - 189.27	27 - 270	900	750	
1 1/2	38	15 - 180	.35 - 4.3	515 - 6000	56.78 - 681.35	80 - 1100	325	975	
2	51	40 - 400	.9 - 9.3	1300 - 13000	151 - 1514	210 - 2100	55	365	
3	76	60 - 600	1.4 - 14.3	2100 - 21000	227 - 2271	320 - 3200	57	570	
4	102	100 - 1200	2.4 - 28.5	3400 - 41000	380 - 4542	545 - 6541	30	600	
6	152	200 - 2500	4.7 - 60	6800 - 86000	757 - 9464	1090 - 13628	7	290	
8	203	350 - 3500	8.3 - 83	12000 - 120000	1325 - 13250	1907 - 19078	3	175	
10	550	550 - 5500	13 - 130	19000 - 180000	1892 - 18926	2725 - 27255	1.6	147	

Material Specifications	
Flow Meter Body	316 S.S. or A-286 Alloy
Support Vanes	316 S.S.
Rotor	CD4MCu
Sleeve Bearings	Tungsten Carbide
Shaft	Tungsten Carbide
Thrust Ball	Ceramic
Performance Specifications	
Repeatability	Within $\pm 0.1\%$ of indicated flow throughout the linear flow range
Accuracy	Within $\pm 1\%$ of reading Note 3/8" $\pm 2\%$



Electronic Data Devices

Turbine Flow Meters

P.O. Box 12128
Odessa, Texas 79768
USA

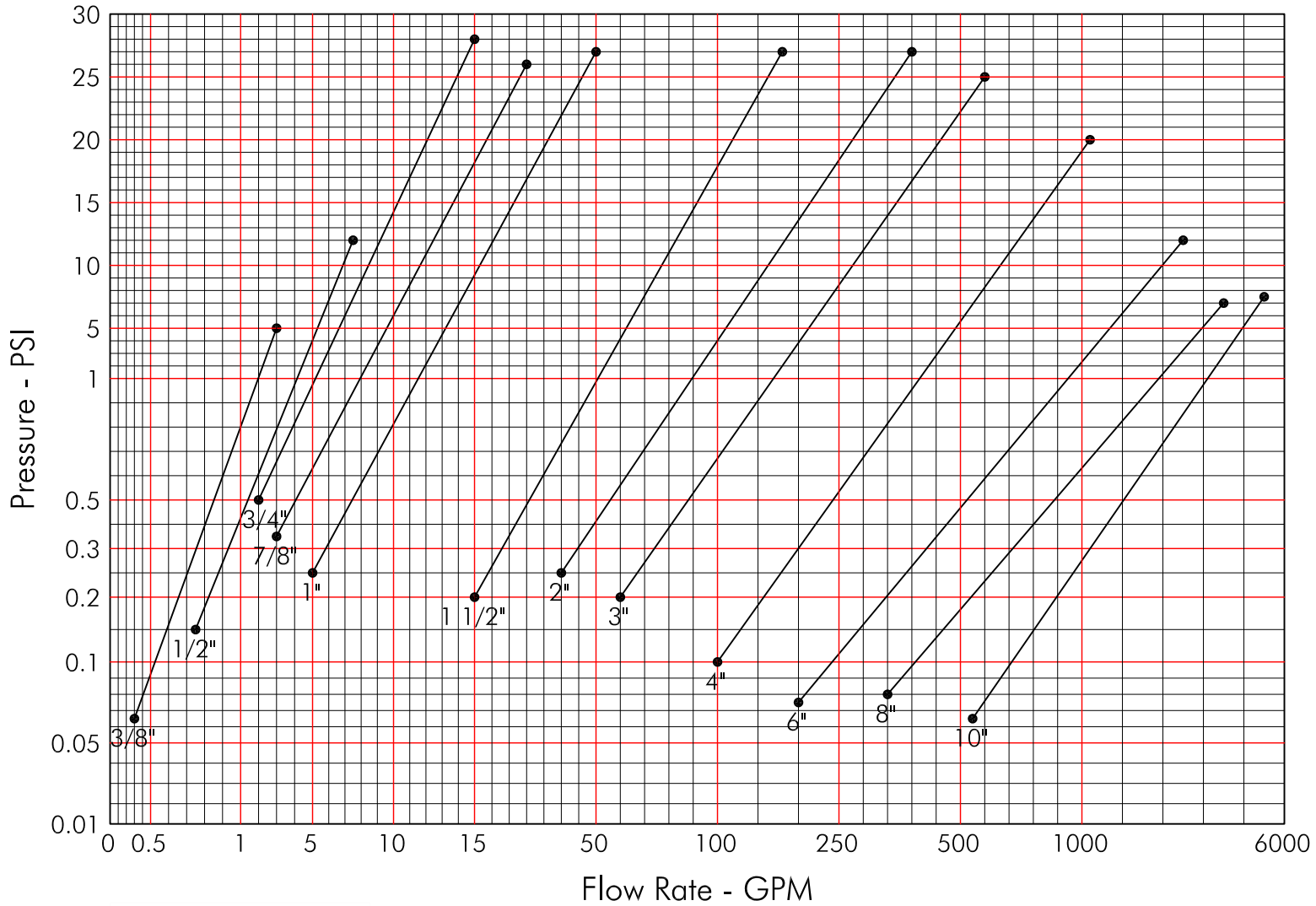
Phone
432-366-8699

Fax
432-366-1106

Email
rkw@eddevices.com

Website
www.eddevices.com

Pressure Drop Curves



Electronic Data Devices

Electronic Data Devices
Turbine Flow Meters

Phone
432-366-8699

Fax
432-366-1106

P.O. Box 12128
Odessa, Texas 79768
USA

E-mail
rkw@eddevices.com

Website
www.eddevices.com



Electronic Data Devices

Turbine Flow Meters



1502 Union Turbine Flow Meters

Electronic Data Devices manufactures a line of 1502 union turbine flow meters that are available with ranges from 5 GPM to 600 GPM covering a wide range of measurement applications. Our turbine flow meters are manufactured to the highest quality standards. Some of the typical applications include: oilfield waterflood, production, well servicing, pipelines, mining, chemicals, food and beverage industry, and most other liquid applications.

1502 union turbine flow meters are available in the following sizes: 1", 1 1/2", 2" and 3". All union meters have a working pressure of 15000 psi.

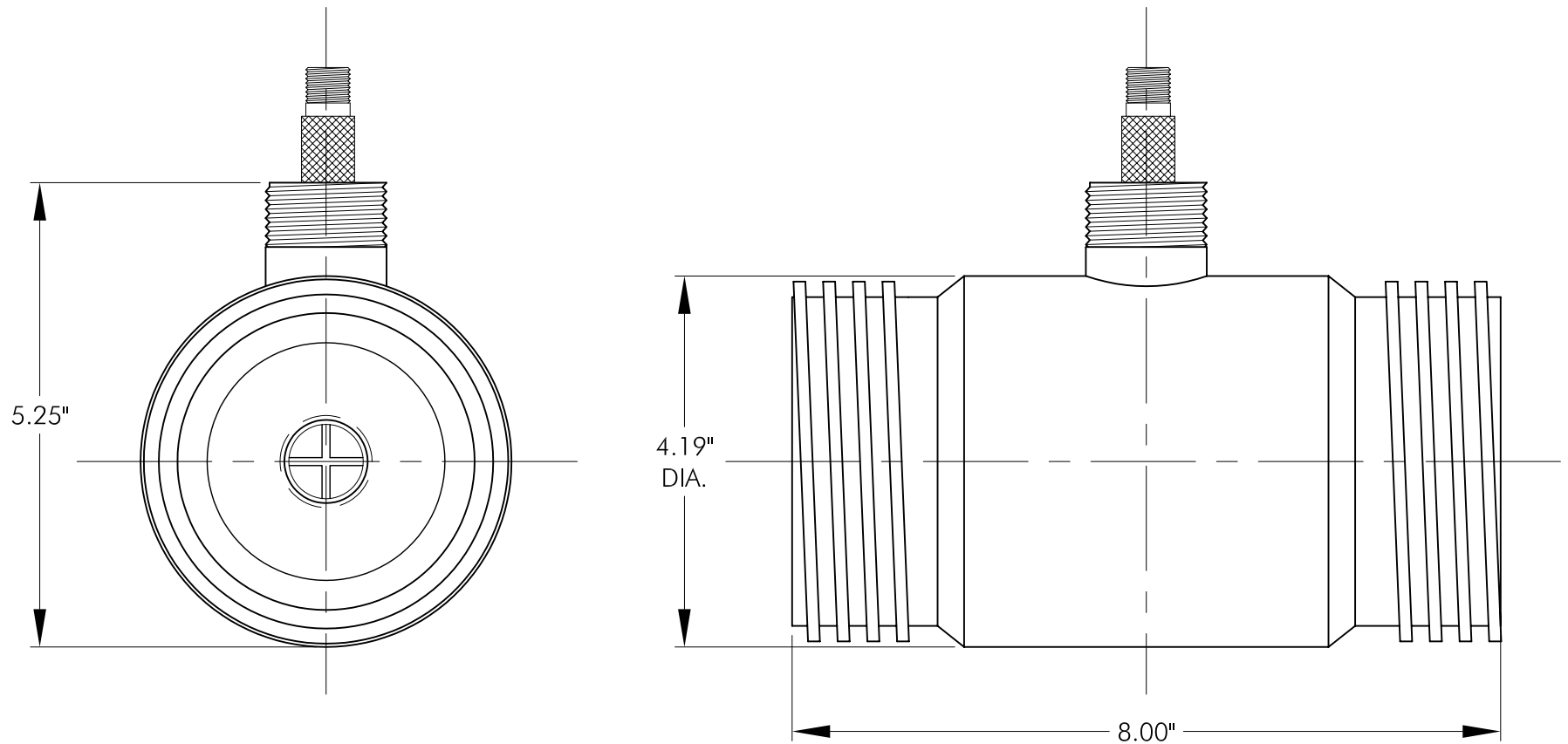
P.O. Box 12128
Odessa, Texas 79768
USA

• Phone
432-366-8699

• Fax
432-366-1106

• Email
rkw@eddevices.com

• Website
www.eddevices.com



NOTE: DRAWING NOT TO SCALE

SPECIFICATIONS:
 FLOW RATE: 5-50 GPM
 PRESSURE RATING: 15000 PSI

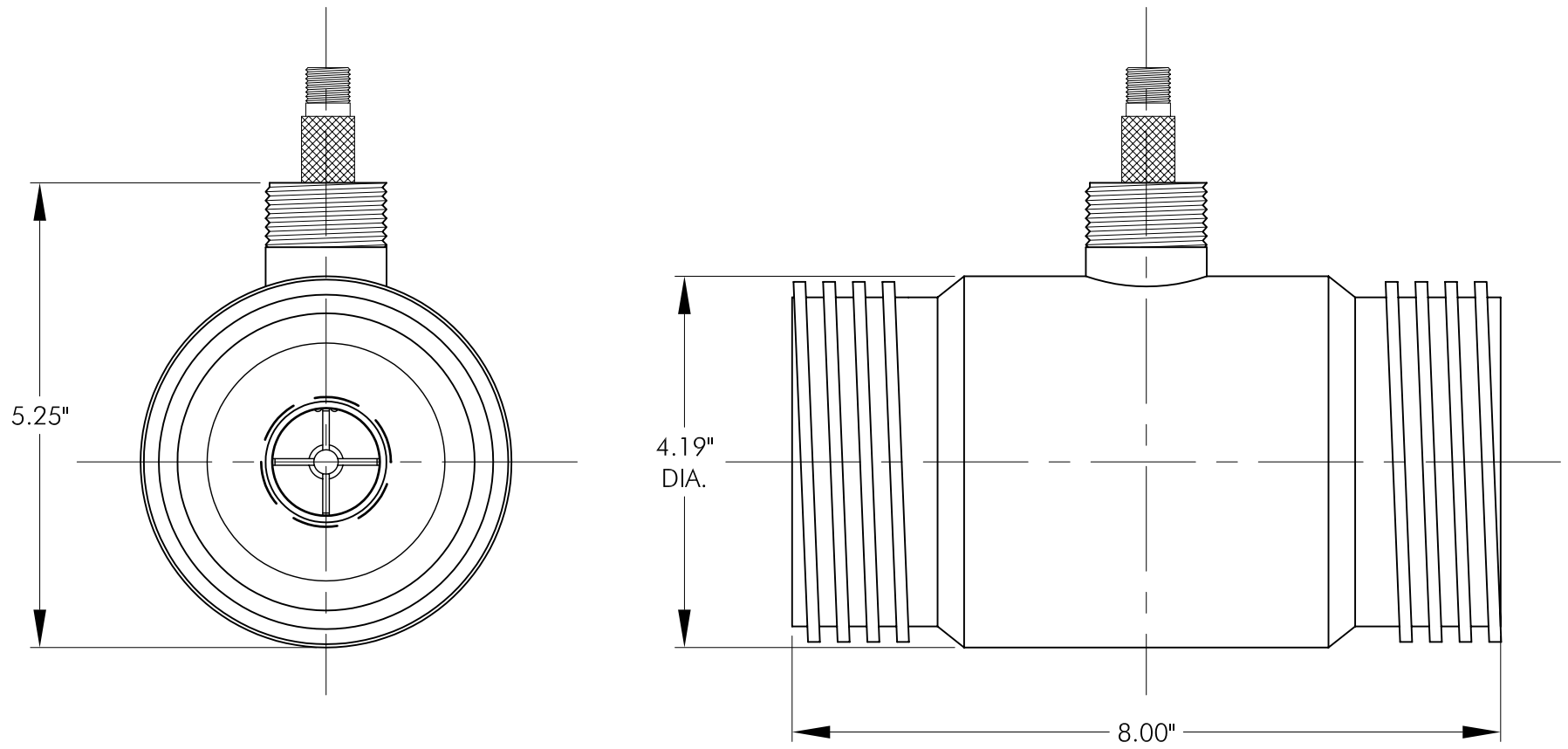
NOTE:
 1" TURBINE REPAIR KIT PART NUMBER: 5.100

FLOW METER INSTALLATION DRAWING

1" x 2" TURBINE FLOW METER WITH 1502 UNION ENDS, PART NO. 5.101502

P.O. Box 12128
 Odessa, TX 79768
 Phone: 432-366-8699 Fax: 432-366-1106
 E-mail: rkw@eddevices.com Website: www.eddevices.com





NOTE: DRAWING NOT TO SCALE

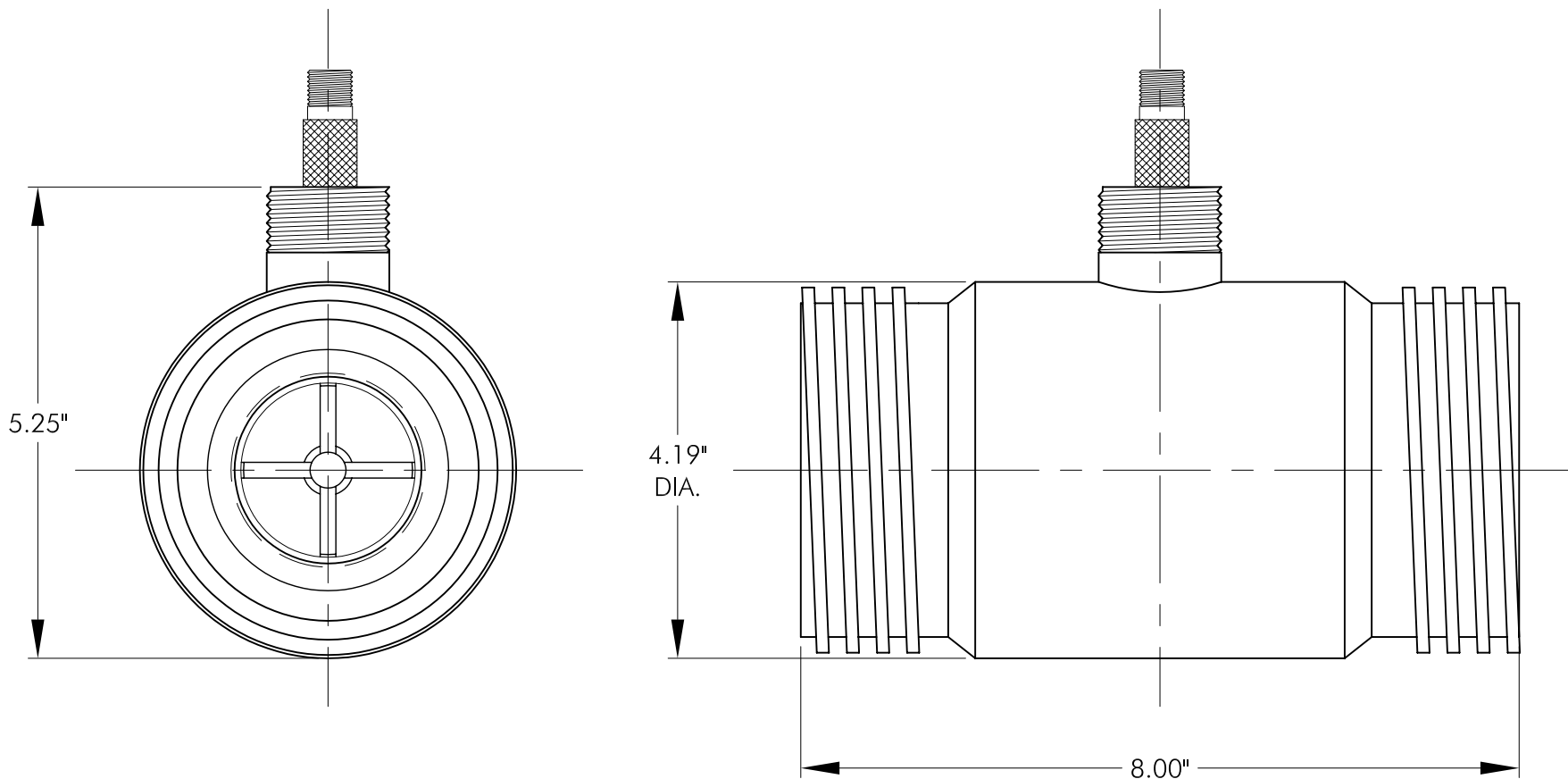
SPECIFICATIONS:
 FLOW RATE: 15-180 GPM
 PRESSURE RATING: 15000 PSI

NOTE:
 1.5" TURBINE REPAIR KIT PART NUMBER: 5.150

FLOW METER INSTALLATION DRAWING
 1.5" x 2" TURBINE FLOW METER WITH 1502 UNION ENDS, PART NO. 5.151502

P.O. Box 12128
 Odessa, TX 79768
 Phone: 432-366-8699 Fax: 432-366-1106
 E-mail: rkw@eddevices.com Website: www.eddevices.com





NOTE: DRAWING NOT TO SCALE

SPECIFICATIONS:

FLOW RATE: 40-400 GPM

PRESSURE RATING: 15000 PSI

NOTE:

2" TURBINE REPAIR KIT PART NUMBER: 5.250

FLOW METER INSTALLATION DRAWING

2" x 2" TURBINE FLOW METER WITH 1502 UNION ENDS, PART NO. 5.21502

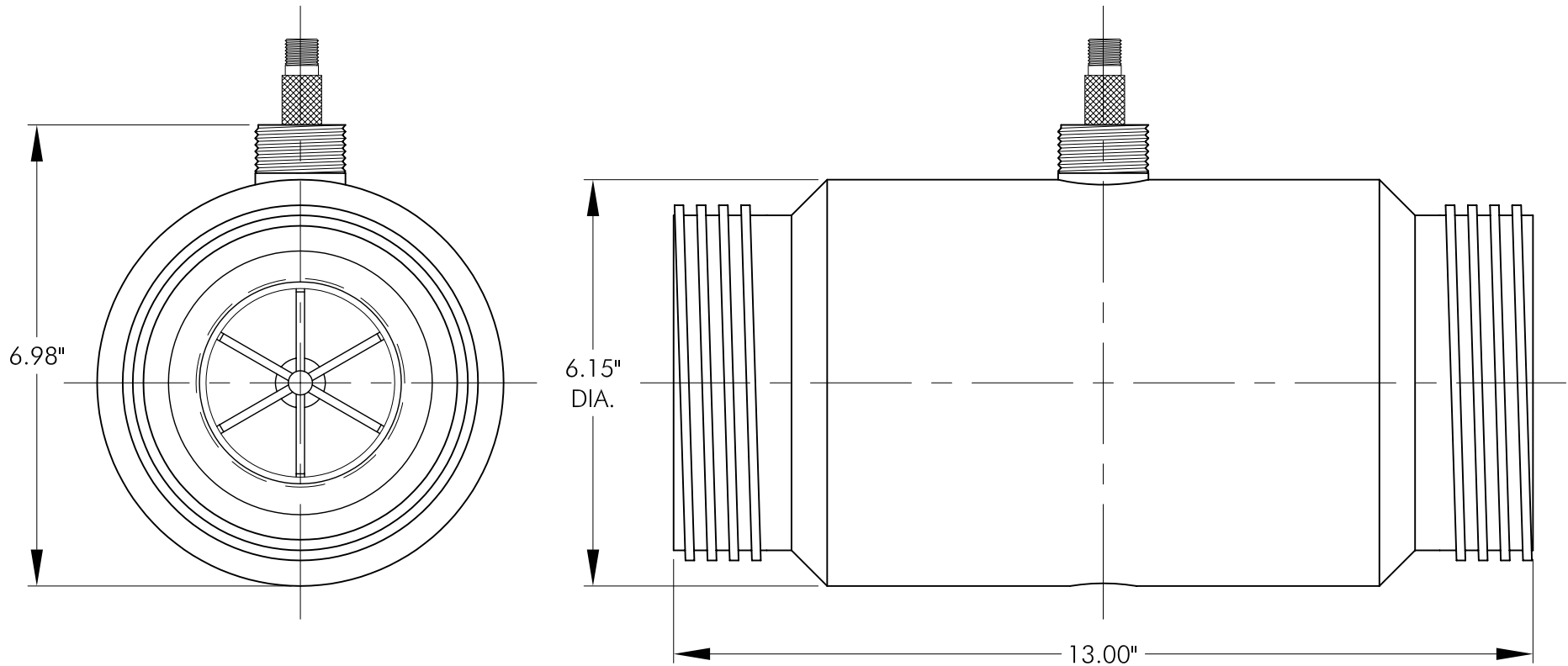
P.O. Box 12128

Odessa, TX 79768

Phone: 432-366-8699 Fax: 432-366-1106

E-mail: rkw@eddevices.com Website: www.eddevices.com





NOTE: DRAWING NOT TO SCALE

SPECIFICATIONS:

FLOW RATE: 60-600 GPM

PRESSURE RATING: 15000 PSI

NOTE:

3" TURBINE REPAIR KIT PART NUMBER: 5.350

FLOW METER INSTALLATION DRAWING

3" x 3" TURBINE FLOW METER WITH 1502 UNION ENDS, PART NO. 5.31502

P.O. Box 12128

Odessa, TX 79768

Phone: 432-366-8699 Fax: 432-366-1106

E-mail: rkw@eddevices.com Website: www.eddevices.com

