



Product Description

Electronic Data Devices' Digital 3 PIN magnetic pick-up produces a digital frequency output directly proportional to speed. The internal amplifier provides for constant pulse shaping, signal amplitude, logic-level output, improved signal-to-noise ratio, usable at lower RPM's and greater air gap between the sensor and the actuator.

MICROPOWER versions are available for ultra low current draw, ideal for battery applications.

A sanitary version to NEMA 6, IP65 & IP67 is also offered.

All Models are also available with an optional temperature probe.

Specifications

V_S, Supply Voltage: 4 (12) to 30 Vdc

I_S, Supply Current:
 ≤ 2 mA @ 4 Vdc
 ≤ 4 mA @ 12 Vdc
 ≤ 7 mA @ 24 Vdc
 ≤ 8 mA @ 30 Vdc

V_O, Signal Out: 0 - 10 V

Input Sensitivity: 12 mVpp

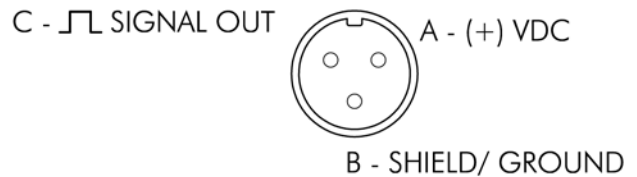
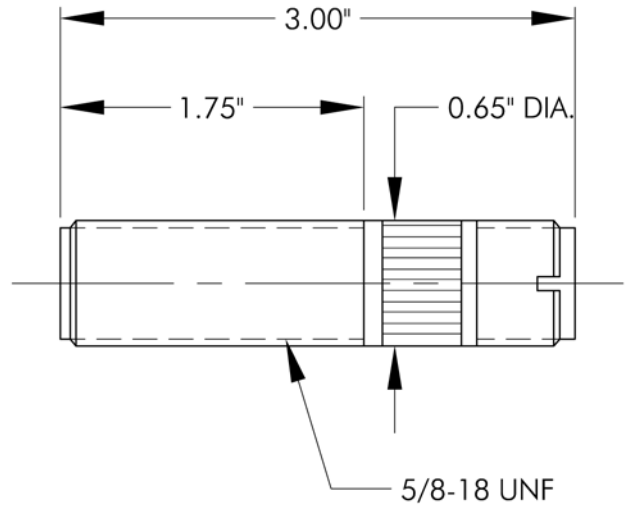
Frequency Range:
 ≤ 3 Hz to 10 kHz
 ≤ 40 kHz at increased signal level,
 varies with target size, distance and
 pick-up sensitivity.

Rise/Fall Time: 0.04 / 0.16 μs

Temperature Range: -40° to 248° F (-40° to 120° C)

Magetization: Standard: ≥ 900 GAUSS

Sensor Body: 303 Stainless Steel



Connector Type Pick-up Part Number: 4.5015 or 4.5015U
 Connector Part Number: 7.2014